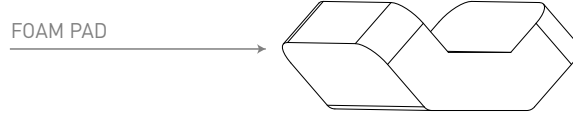


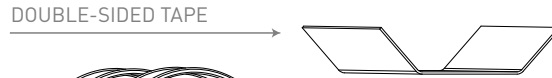
WING TUBE SUPPORT ASSEMBLY

GEAR JACK MODELS GJ-WTSA-STD

1 Attach Stanchion Brackets to Carriage Block. Leave fasteners finger tight.

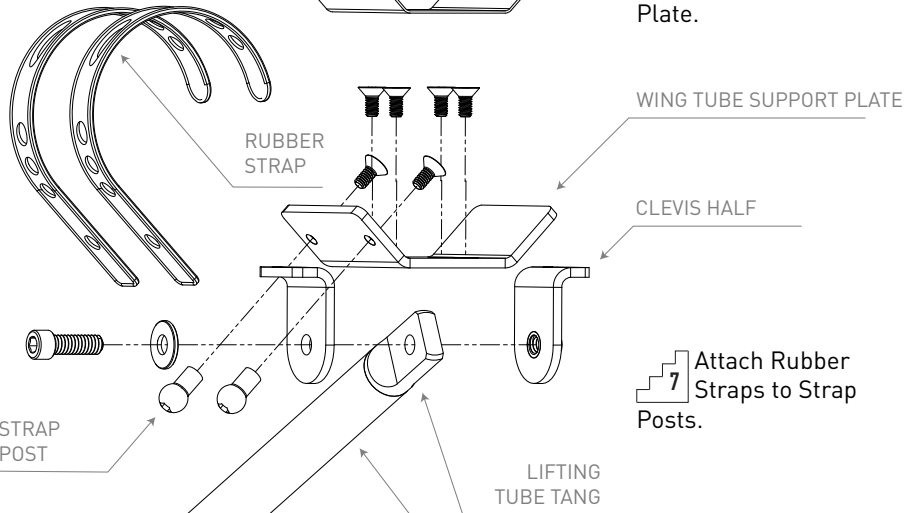


5 Attach Double-Sided Tape to Wing Tube Support Plate.



6 Attach Foam Pad to Wing Tube Support Plate.

2 Attach Clevis halves to Lifting Tube Tang. Leave fastener finger tight.

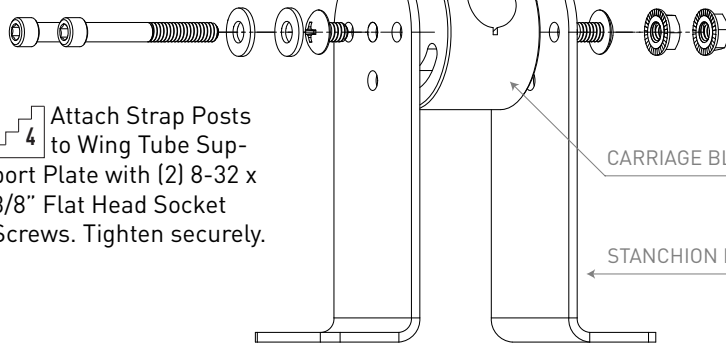


3 Attach Wing Tube Support Plate to Clevis Halves with (4) 8-32 x 3/8" Flat Head Socket Screws. Tighten securely. **USE CARE TO AVOID CROSS THREADING SCREWS!**

7 Attach Rubber Straps to Strap Posts.

4 Attach Strap Posts to Wing Tube Support Plate with (2) 8-32 x 3/8" Flat Head Socket Screws. Tighten securely.

8 Slide Lifting Tube into Carriage Block.



9 Adjust Lifting Tube and Wing Tube Support as needed for aircraft and tighten fasteners securely.

TOOLS

Required: 3/32" Hex Key; 5/32" Hex Key or pliers, 3/16" Hex Key, #2 Phillips screwdriver
Optional: 5/32" Hex Ball driver, Threadlocker (Blue Loctite®)

NOTES:

1. At Step 3: Take extra care to avoid cross threading Flat Head Screws.
2. At Steps 3 and 4: Threadlocker (Blue Loctite®) is not required but may be used.
3. At Step 4: If hex recess in Strap Post seems too small, a 5/32" ball driver will fit.
4. At Steps 5 and 6: Test fit both the double-sided tape and foam pad to determine margins prior to assembly.

