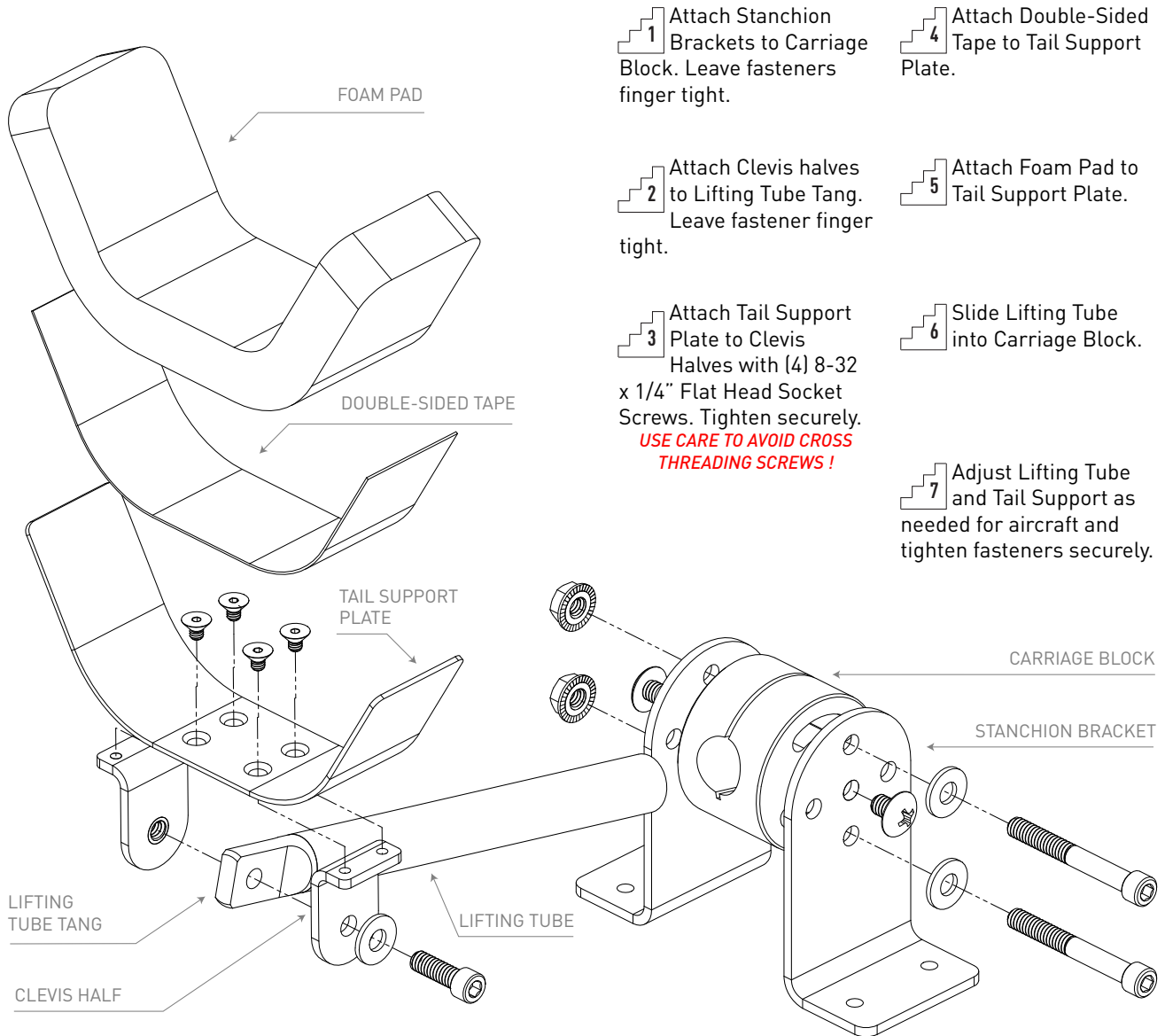


TAIL SUPPORT ASSEMBLY

GEAR JACK MODEL GJ-TSA-LP



TOOLS

Required: 3/32" Hex Key; 5/32" Hex Key or pliers, 3/16" Hex Key, #2 Phillips screwdriver
Optional: 5/32" Hex Ball driver, Threadlocker (Blue Loctite®)

NOTES:

1. At Step 3: Take extra care to avoid cross threading Flat Head Screws.
2. At Steps 3 and 4: Threadlocker (Blue Loctite®) is not required but may be used.
3. At Step 4: If hex recess in Strap Post seems too small, a 5/32" ball driver will fit.
4. At Steps 5 and 6: Test fit both the double-sided tape and foam pad to determine margins prior to assembly.

