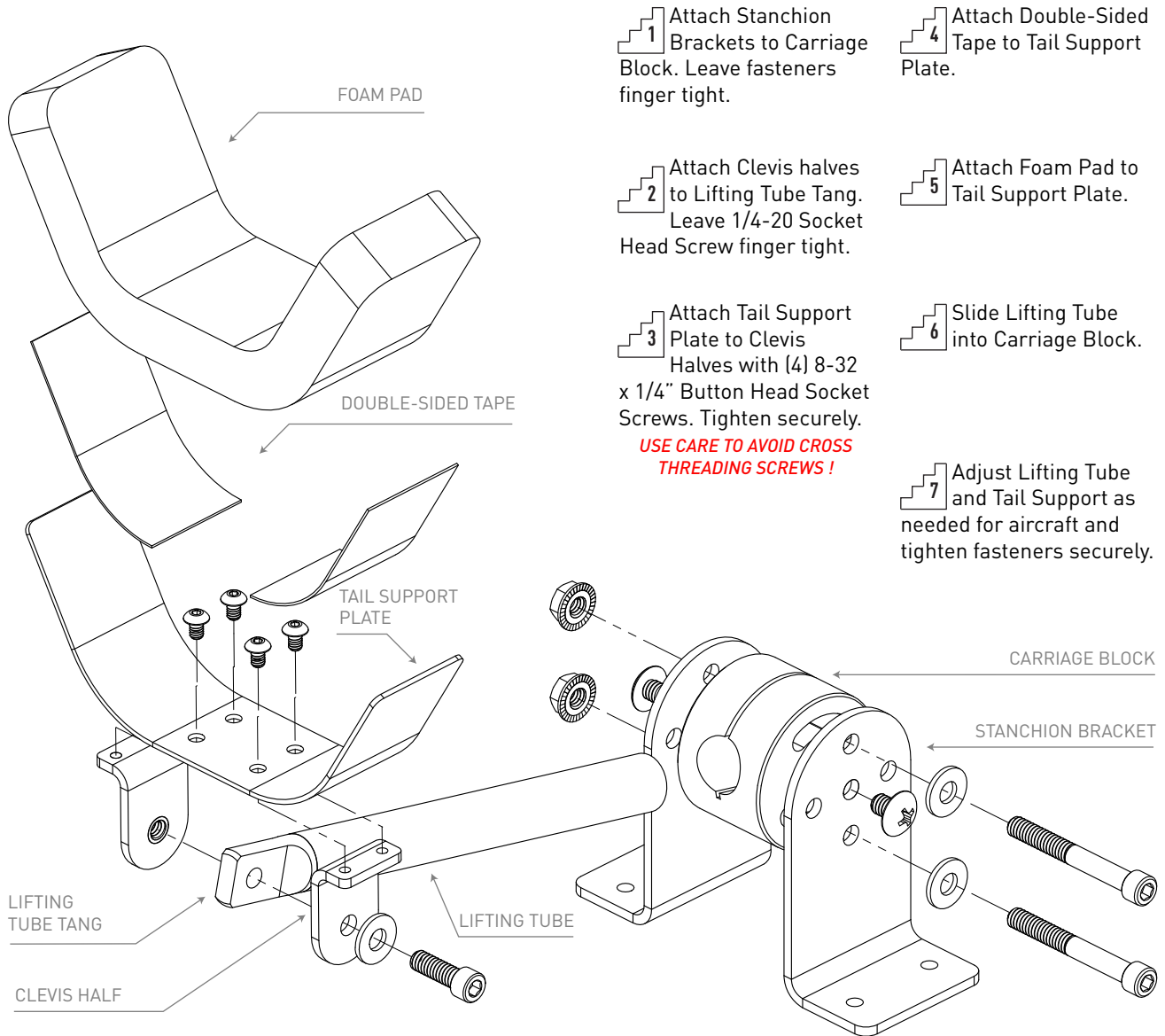


# TAIL SUPPORT ASSEMBLY

## GEAR JACK MODEL GJ-TSA-LP



REV. D - 2019.05.30

### TOOLS

Required: 3/32" Hex Key, 3/16" Hex Key, #2 Phillips screwdriver  
Optional: Threadlocker (Blue Loctite®)

### NOTES:

1. At Step 3: Take extra care to avoid cross threading Button Head Screws.
2. At Step 3: Threadlocker (Blue Loctite®) is not required but may be used.
3. At Step 5: Test fit both the double-sided tape and foam pad to determine margins prior to assembly.

