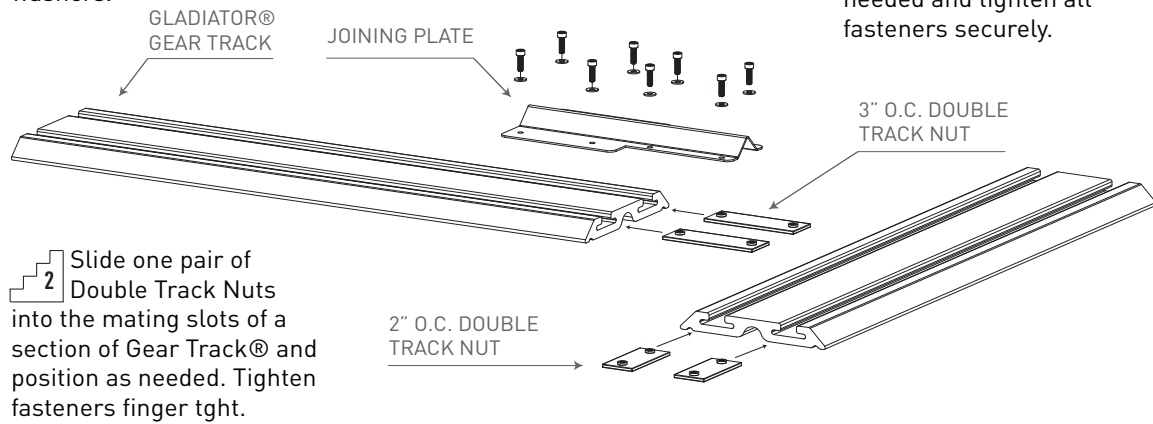


# JOINING PLATE ASSEMBLY

## GEAR JACK GJ-JP

**1** Loosely attach all four Double Track Nuts to the Joining Plate with (8) 10-24 x 5/8" Socket Head Screws and washers.



**3** Slide the second pair of Double Track Nuts into the mating slots of the section of Gear Track® to be joined. Position as needed and tighten all fasteners securely.

**2** Slide one pair of Double Track Nuts into the mating slots of a section of Gear Track® and position as needed. Tighten fasteners finger tight.

TOOLS Required: 5/32" Hex Key



Random Heli LLC | PO Box 73446 Richmond VA 23235 | randomheli.com